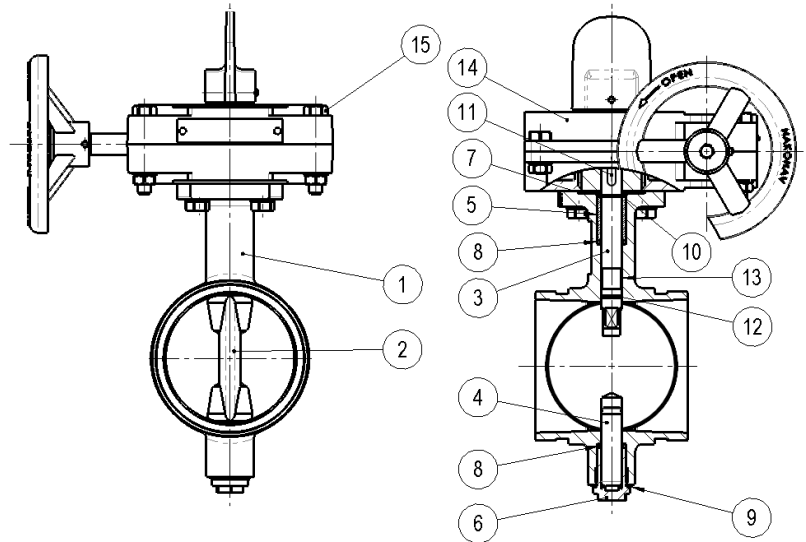


- Body construction 111 Grooved end 3"-8"
- Face to face MSS SP-67 table 4
- Groove acc. to AWWA C606
- Top flange EN ISO 5210
- Max working pressure 175 PSI
- Temperature range -20°C + 140°C
- Operation Gear box with limit switch
- Coating Epoxy min 150 micron UV resistance
- Disc Brass/ Ductile Iron rubber vulcanized EPDM/ NBR
- Tightness test According to EN 12266-1:2003
- Material certificate EN 10204.3.1



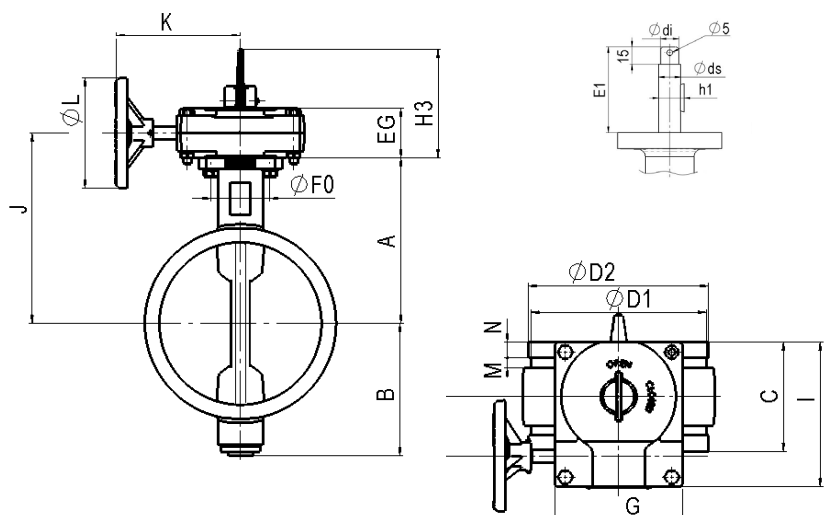
Materials

Item	Description	Material
1	Body	Ductile Iron
	Option Coating	Rilsan
2	Disc (vulcanized)	Ductile Iron/ Brass
	Option Lining	EPDM/ NBR
3	Shaft	SS316/ SS416/ Duplex
4	Axle	
5,6	Bush	Brass
7	Washer	Galvanized Steel
8,12	O-Rings	NBR/ EPDM
9	Sealing Ring	Fiber
10	Circlip	Carbon Spring Steel
11	Woodruff Key/ Rectangular Key	Steel
13	Bush	Brass/ Bronze/ Reinforced Nylon
14	Reduction Gear	Gear Box- Ductile Iron
15	Screws	Carbon Steel



Dimensions

mm	80	100	150	200
inches	3"	4"	6"	8"
A	120	135	176	202
B	86	102	139	161
C (FTF)	97	116	148	133
ØD2	88.5	114	168	219
ØD1	84.4	110	163.8	214.4
M	7.8	9.4	9.4	11.9
N	16	16	16	19
EG	60	60	60	60
G	156	156	156	156
I	176	176	176	176
K	152	152	152	152
H3	132	132	132	132
H	72.3	72.3	72.3	72.3
J	151	163	204	232
ØL	135	135	215	215



Note: Due to company's policy of continuous improvement, Hakohav Valves reserves the right to change specification without prior notice.