

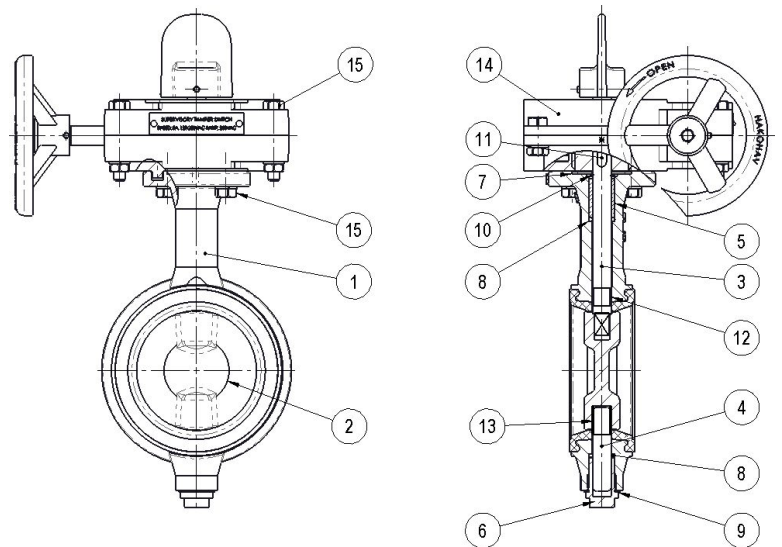
# 107F

- Body construction 107F Wafer 2"-8"
- Suitable for pipe flanges ISO 5752 (series 20)/ API 609/ BS 5155  
BS EN593/ EN-558-1/(series 20)
- Flanges ISO 7005-2 PN 10/16 ( EN 1092-2 PN 10/16)  
ANSI B16.1 class 125/ B16.1 class 150
- Top flange EN ISO 5210
- Max working pressure 175 PSI
- Temperature range -20°C + 140°C
- Operation Gear box with limit switch
- Coating Epoxy min 150 micron UV resistance
- Disc Ductile Iron Rilsan coated
- Tightness test According to EN 12266-1:2003
- Material certificate EN 10204.3.1



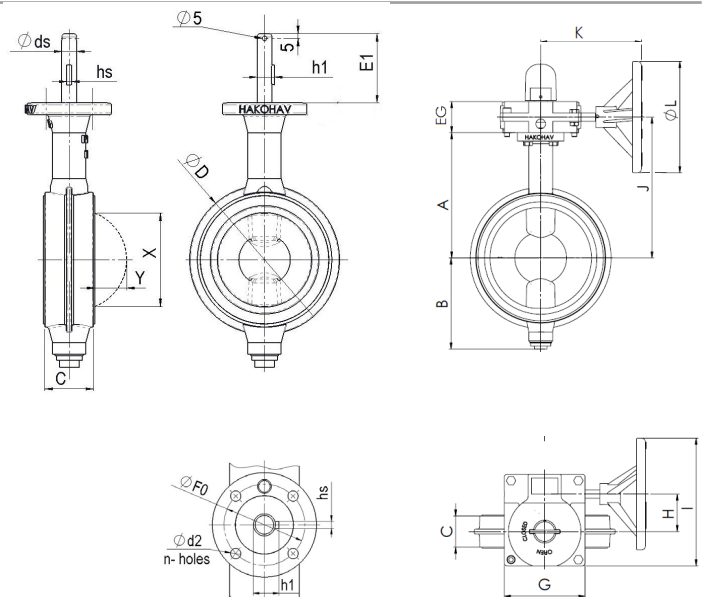
## Materials

Item	Description	Material
1	Body (vulcanized)	Ductile Iron+ EPDM
2	Disc	Ductile Iron Rilsan coated
3,4	Shaft/ Axle	SS420
5,6	Bush	Brass/ Bronze
7	Washer	Galvanized Steel
8	O-Rings	NBR/ EPDM
9	Sealing Ring	Fiber
10	Circlip	Steel spring
11	Woodruff Key/ Rectangular Key	Steel
12,13	Bush	Brass/ Bronze/ Reinforced Nylon
14	Reduction Gear	Gear Box- Ductile Iron
15	Fastners	Galvanized Steel



## Dimensions

mm	50	65	80	100	150	200
inches	2"	2.5"	3"	4"	6"	8"
A	126	130	157	168	200	242
B	79	86	101	110.5	145	176
C (FTF)	43	46	46	52	56	60
D	102	119	142	162	216	272
ds	12.7	12.7	15.9	15.9	19	25.4
hs	5	5	5	5	6	6
h1	12.5	15.2	18.4	18.4	21	28.4
d2	9	9	9	9	11	11
n	4	4	4	4	4	4
X	37	53	71.5	90	141	188
Y	7	12.5	19.5	25.5	48	68.5
EG	60	60	60	60	60	60
G	156	156	156	156	156	156
H	72	72	72	72	72	72
I	206	206	206	206	206	246
J	156	160	187	198	230	272
K	152	152	152	152	152	194
L	135	135	135	135	135	215



Note: Due to company's policy of continuous improvement, Hakohav Valves reserves the right to change specification without prior notice.