

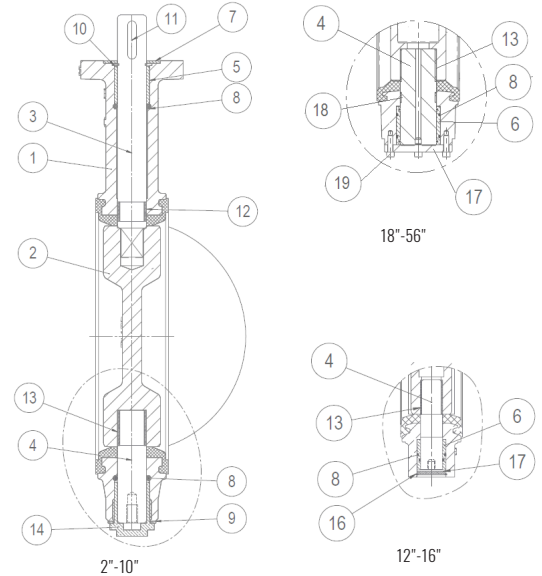
# WAFER 107

- Description: Wafer Butterfly Valve DN50-DN1600
- Face to Face: ISO 5752 SERIES 20
- Connection: ISO 7005-2 BS EN 1092-2
- Max Working Pressure: PN 16
- Operation: Motor/ Manual
- Pressure Test: According to ISO 5208
- Design Standard: ISO 5208, ISO 10631
- Material Certificate: EN 10204.3.1



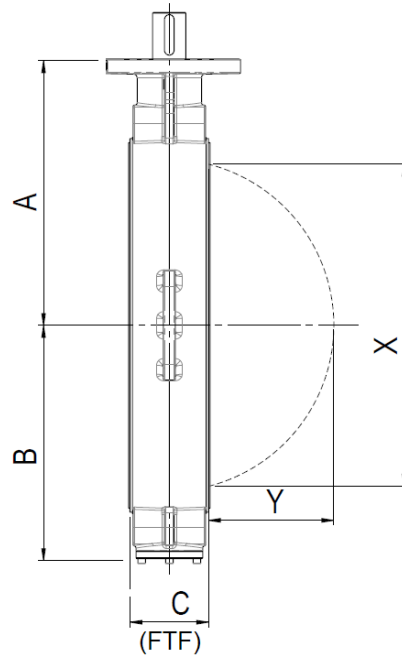
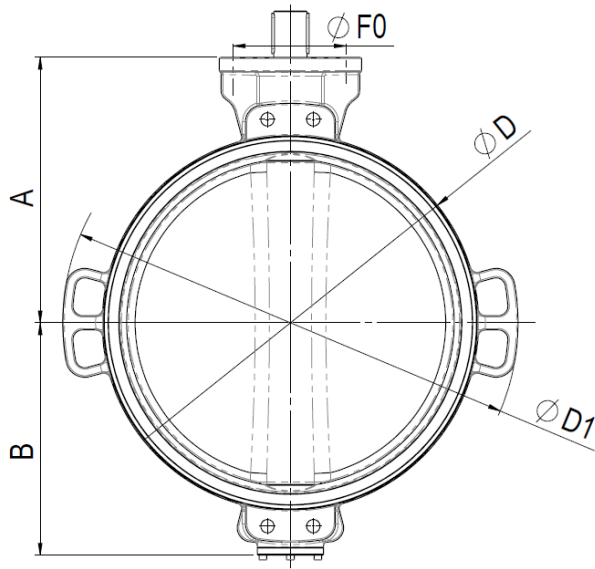
## Materials

Item	Description	Material
1	Body	Ductile Iron/ Cast Iron with Epoxy coating 250 microns
	Seat (vulcanized)	EPDM
2	Disc	AISI 316
3,4	Shaft/ Axle	SS
5,6,14,18	Bush	Brass/ Reinforced Nylon/ PP
7	Washer	Steel Galvanized
8	O-Ring	NBR/ EPDM
9	Sealing Ring	Fiber
10,16	Circlip	Spring Steel
11	Woodruff Key/ Rectangular Key	Steel
12,13	Bush	Reinforced Nylon
17	Retaining Ring	Steel
19	Screws	AISI 316 A4



# WAFER 107

## Dimensions

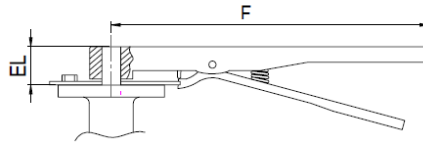


mm	50	65	80	100	125	150	200	250	300	350	400	450	500	600	700	750	800	900	1000	1100	1200	1300	1400
inch	2"	2.5"	3"	4"	5"	6"	8"	10"	12"	14"	16"	18"	20"	24"	28"	30"	32"	36"	40"	44"	48"	52"	56"
A	126	130	157	168	180	200	242	282	301.5	315	360.5	390	450	510	560	590	610	690	740	820	860	940	1000
B	79	86	101	110.5	125	145	176	222	243.5	259	295.5	342	367	426	490	525	550	615	710	770	860	930	985
C	43	46	46	52	56	56	60	68	78	78	102	114	127	152	165	190	190	203	216	240	254	254	279
X	37	53	71.5	90	116	141	188	244	293	327	370	425	474	574	675	720	767	840	966	1061	1144	1247	1356
Y	7	12.5	19.5	25.5	36	48	68.5	92.5	112.5	129	141	163	182	221	265	277.5	300	330.5	387	424	459	509.5	553.5
D	102	119	142	162	192	216	272	333	381	438	490	534	591	704	788	850	904	987	1100	1210	1300	1462	1525
D1	-	-	-	-	-	-	-	-	-	-	-	-	-	-	960	1020	1080	-	1330	1430	1540	1665	1800

# ACTUATION DATA

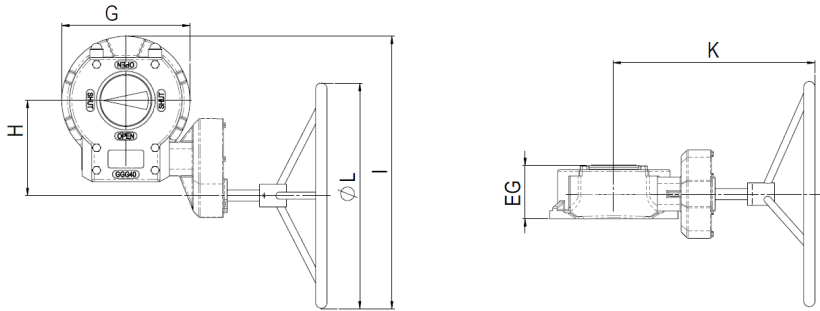
kim valves offers a wide selection of operating systems ,levers, handwheels gearboxes , pneumatic and electric actuators.  
All actuators are calibrated and cycle tested before shipment to ensure safe and precise operation.

## LEVER



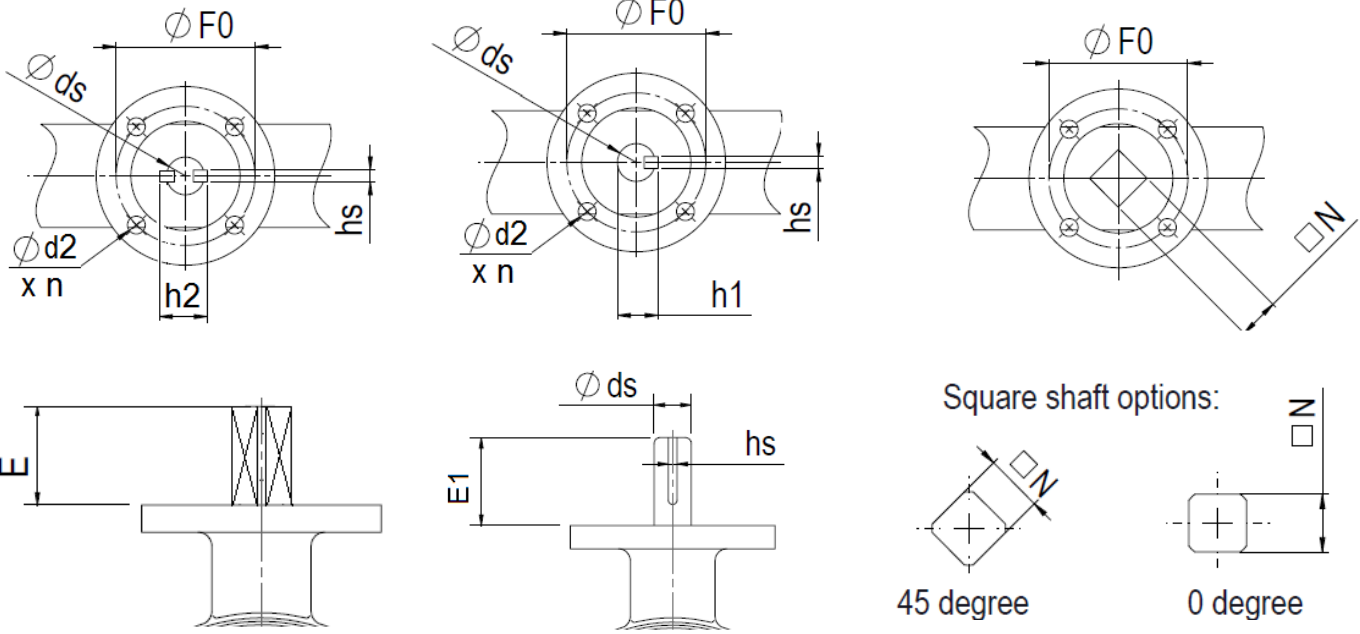
	mm	50	65	80	100	125	150	200	250	300	350	400	450	500	600	700	750	800	900	1000	1050	1100	1200	1300	1400	1600	
	inch	2"	2.5"	3"	4"	5"	6"	8"	10"	12"	14"	16"	18"	20"	24"	28"	30"	32"	36"	40"	42"	44"	48"	52"	56"	64"	
Lever	EL	30	30	30	30	30	30	40	60	60	-	-	-	-	-	-	-	-	-	-	-	-	-	-	-	-	-
	F	210	210	210	210	210	210	354	440	440	-	-	-	-	-	-	-	-	-	-	-	-	-	-	-	-	-

## GEAR



	mm	50	65	80	100	125	150	200	250	300	350	400	450	500	600	700	750	800	900	1000	1050	1100	1200	1300	1400	1600	
	inch	2"	2.5"	3"	4"	5"	6"	8"	10"	12"	14"	16"	18"	20"	24"	28"	30"	32"	36"	40"	42"	44"	48"	52"	56"	64"	
Gear Option A	EG	61	61	61	61	61	61	61	83	83	83	83	94	94	94	129	129	129	129	143.5	143.5	143.5	143.5	190	190	190	190
	G	100	100	100	100	100	100	120	201	201	201	201	330	330	330	360	360	360	360	455	455	455	455	648.5	648.5	648.5	639
	H	50	50	50	50	50	50	47	100	100	100	100	166	166	166	211	211	211	211	263	263	263	263	384	384	384	431
	I	167.5	167.5	167.5	167.5	167.5	167.5	167.5	410	410	410	410	491	566	566	604	604	654	654	733	733	733	733	941	941	941	1016
	K	122	122	122	122	122	122	122	235	235	330	330	420	420	420	447	447	457	457	500	859	500	500	571	571	571	611
	L	135	135	135	135	135	135	135	215	215	490	490	490	600	600	500	500	600	600	600	600	600	600	700	700	700	700
Gear Option B	EG	48	48	48	48	-	55	55	74	74	-	-	82	86	86	-	-	-	-	-	-	-	-	-	-	-	-
	G	80	80	80	80	-	100	100	128	128	-	-	168	176	176	-	-	-	-	-	-	-	-	-	-	-	-
	H	42.5	42.5	42.5	42.5	-	50	50	67	67	-	-	80	95	95	-	-	-	-	-	-	-	-	-	-	-	-
	I	105.5	105.5	105.5	105.5	-	127.5	127.5	287	287	-	-	390	428	428	-	-	-	-	-	-	-	-	-	-	-	-
	K	108	108	108	108	-	119	119	220	220	-	-	220	250	250	-	-	-	-	-	-	-	-	-	-	-	-
	L	100	100	100	100	-	125	125	350	350	-	-	500	500	500	-	-	-	-	-	-	-	-	-	-	-	-

# MOUNTING FLANGE (107)



	mm	50	65	80	100	125	150	200	250	300	350	400	450	500	600	700	750	800	900	1000	1050	1100	1200	1300	1400	1600	
	inch	2"	2.5"	3"	4"	5"	6"	8"	10"	12"	14"	16"	18"	20"	24"	28"	30"	32"	36"	40"	42"	44"	48"	52"	56"	64"	
Top flange	E1	37	40	43.5	43.5	43.5	43.5	40	60	60	60	60	90	90	90	98	110	93	100	100	100	100	110	170	141	140	
	ds	12.7	12.7	15.9	15.9	19	19	25.4	28.6	35	35	35	45	60	60	70	70	80	80	80	80	90	90	100	108	115	125
	hs	5	5	5	5	6	6	6	6	8	8	8	10	12.7	12.7	20	20	20	22	22	22	22	28	32	32	32	
	h1	12.5	15.2	18.4	18.4	21	21	28.4	31.6	39	39	39	50	66.3	66.3	-	-	-	-	-	-	-	-	-	-	-	-
	h2	-	-	-	-	-	-	-	-	-	-	-	-	-	-	-	79	80	90	90	90	100	100	116	121	128	139
	d2	7\9	7\9	7\9	7\9	9	11	11	11	11	17	17	17	17	17	17	17	17	17	17	17	21	21	21	32	32	32
	n	4	4	4	4	4	4	4	4	4	4	4	4	4	4	4	8	8	8	8	8	8	8	8	8	8	8
	N	9	9	11	11	14	14	17	22	22	27	27	36	36	46	Acc.to ISO 5211											
	E	9	9	11	11	14	14	17	22	22	27	27	36	36	46												
	Top flange acc. to ISO5211		F05/F07	F05/F07	F05/F07	F05/F07	F07	F07	F07	F10	F10	F14	F14	F14	F14	F14	F25	F25	F25	F25	F25	F30	F30	F30	F35	F35	F35