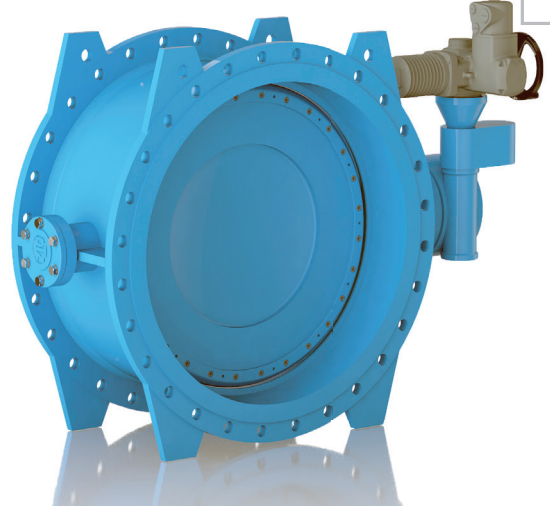


NIC- DOUBLE ECCENTRIC FLANGED BUTTERFLY VALVE

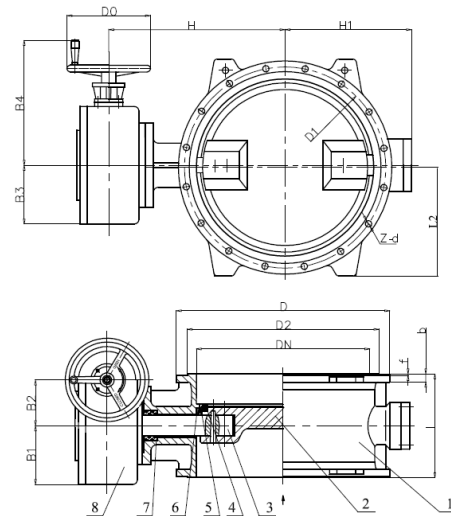
- Body construction NIC Double Eccentric Double Flanged 3"-56"
- Face to face DIN 3202 F4 (ISO 5752 series 14)
- Flanges DIN/ BS
- Top flange EN ISO 5211
- Max working pressure PN 16/25
- Temperature range -20°C + 80°C
- Operation Gear
Electric actuator
Pneumatic actuator
Hydraulic actuator
- Coating according to requirements
- Disc Ductile Iron
- Tightness test According to EN 12266-1:2003
- Material certificate EN 10204.3.1



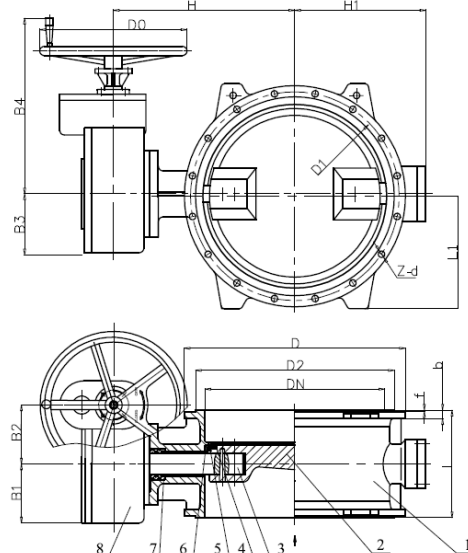
Materials

Item	Description	Material
1	Bolt	Stainlesssr
2	End Cover	Ductile Iron
3	O-Ring	EPDM
4	Bushes	Du Bushes
5	Body	Stainless Steel
6	Shaft	Stainless Steel
7	Disc Pin	Stainless Steel
8	Disc	Ductile Iron
9	Retaining Ring	Stainless Steel
10	Rubber Sealing	EPDM
11	Body Sealing Ring	Stainless Steel
12	Stuffing	EPDM
13	Stuffing Box	Gunmetal
14	Shaft (2)	Stainless Steel
15	Manual Actuator	

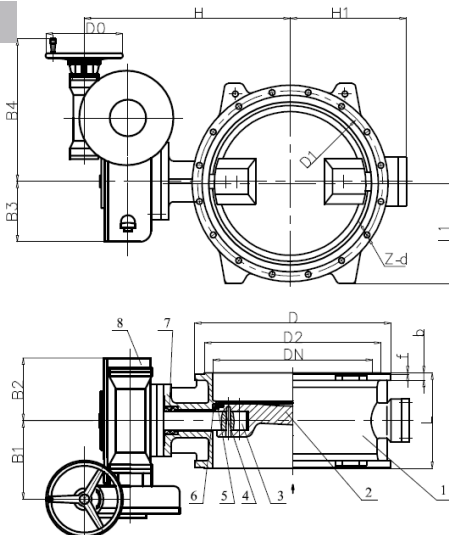
80-350mm



350-800mm



700-1400mm



Dimensions

80"-350"

350"-800"

700"-1400"

The adapter coupling drawing

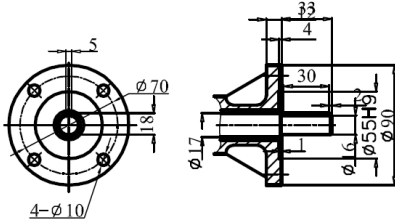


fig 1

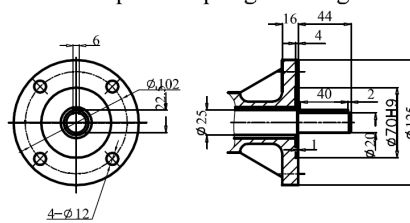


fig 1

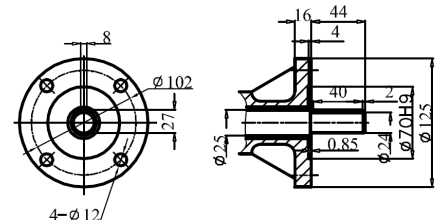


fig 1

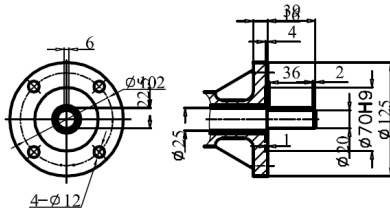


fig 2

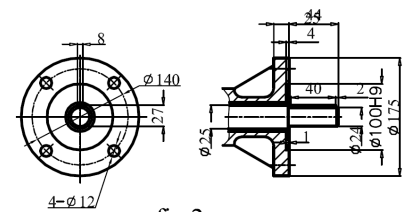


fig 2

	PN	mm																			
		80	100	125	150	200	250	300	350	400	450	500	600	700	750	800	900	1000	1200	1400	
		inch																			
		3"	4"	5"	6"	8"	10"	12"	14"	16"	18"	20"	24"	28"	30"	32"	36"	40"	50"	56"	
L	16	180	190	200	210	230	250	270	290	310	330	350	390	430	318	470	510	550	630	710	
	25	180	190	200	210	230	250	270	290	310	330	350	390			470	510	550	630	710	
D	16	200	220	250	285	340	405	460	520	580	640	715	840	910	970	1025	1125	1255	1485	1685	
	25	200	230	270	300	360	425	486	555	620	670	730	845	960		1085	1185	1320	1530		
D1	16	160	180	210	240	295	355	410	470	525	585	650	770	840	900	950	1050	1170	1390	1590	
	25	160	190	220	250	310	370	430	490	550	600	660	770	875		990	1090	1210	1420		
D2	16	132	156	184	211	266	319	370	429	480	548	609	720	794	850	901	1001	1112	1328	1530	
	25	132	156	184	211	274	330	389	448	503	548	609	720	820		928	1028	1140	1350		
b	16	19	19	19	19	20	22	24.5	26.5	28	30	34.5	36	39.5	43	43	46.5	50	57	60	
	25	19	19	19	20	22	24.5	27.5	30	32	34.5	36.5	42	46.5		51	55.5	60	69		
f	16	3	3	3	3	3	3	4	4	4	4	4	5	5	5	5	5	5	5	5	
	25	3	3	3	3	3	3	4	4	4	4	4	5	5		5	5	5	5		
H1	16	110	120	140	160	193	226	252	296	322	354	385	465	532	567	588	640	710	845	976	
	25	120	126	150	168	197	236	279	296	340	370	400	476	555		635	685	762	886		
H	16	165	172	202	241	266	305	311	378	481	511	483	549	615	649	664	832	903	1077	1292	
	25	185	191	215	246	275	315	359	458	433	457	495	568	739		872	942	1092	1212		
B1	16	77	77	77	77	125	125	125	125	190	190	190	230	230	216	230	228	228	302	352	
	25	77	77	77	125	125	125	125	125	190	190	230	230	228		287	287	352	352		
B2	16	48	48	48	48	87	87	87	126	126	126	146	146	183	146	212	212	212	253	320	
	25	48	48	48	87	87	87	126	126	126	126	146	146	212		265	270	320	320		
B3	16	68	68	68	68	105	105	105	105	133	133	133	178	178	212	178	213	216	283	330	
	25	68	68	68	105	105	105	105	133	133	133	178	178	216		302	302	330	330		
L1	16	110	115	130	150	180	210	240	270	300	330	365	430	465	495	525	570	635	750	850	
	25	110	125	140	160	190	220	250	285	320	345	375	430	490		550	600	670	775		
D0	16	160	160	160	160	320	320	320	320	360	360	360	400	400	450	400	500	500	500	640	
	25	160	160	160	320	320	320	320	360	360	360	400	400	500		500	500	640	640		
Z-d	16	8-19	8-19	8-19	8-23	12-32	12-28	12-28	16-28	16-31	20-31	20-34	20-37	24-37	24-36	24-41	28-40	28-43	32-49	36-49	
	25	8-19	8-23	8-28	8-28	12-28	12-31	12-31	16-34	16-37	20-37	20-37	20-40	24-43		24-49	28-49	28-56	32-56		
Remarks	16	fig 1	fig 1	fig 1	fig 1	fig 2	fig 2	fig 2	fig 2						fig 1	fig 1	fig 1	fig 1	fig 1	fig 1	
	25	fig 1	fig 1	fig 1	fig 2	fig 2	fig 2	fig 2							fig 1	fig 1	fig 2	fig 2	fig 2	fig 2	

Note: Due to company's policy of continuous improvement, Hakohav Valves reserves the right to change specification without prior notice.